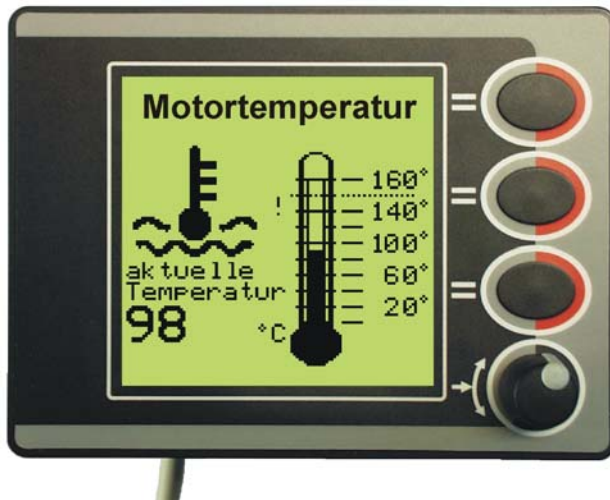




## AT37 - series (with I/O's)



The AT37-series is an operator panel and display unit with graphics capability. It was constructed for rough environment in vehicles, building machines and plant construction. For the realization of control functions the unit has 8 digital inputs, 8 digital outputs as well as 4 analogue inputs. The outputs are suitable to steer for solenoid valves or relay directly. 2 outputs can be charged by a current of 4 A. The max. sum current is 15 A.

### Technical data:

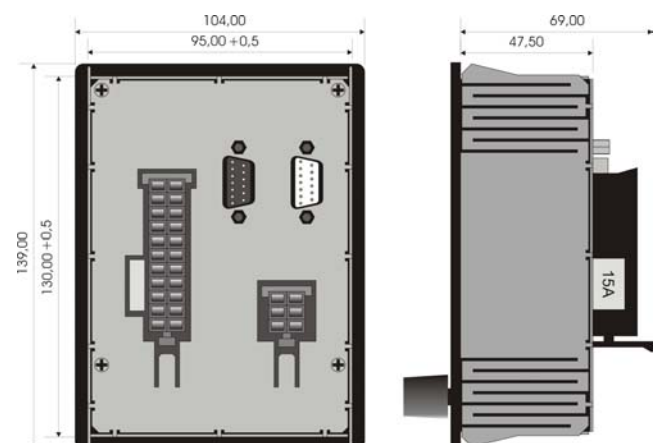
Display:	graphic 128 x 128 Pixel, LCD, LED-backlight (life time >100.000h)
Visual dimension:	70 x 70 mm
Input control:	3 free programmable function keys 1 potentiometer with indent and push button
Memory:	1,2 MB Flash max. 256 kB SRAM max. 2 kB EEPROM
Inputs/Outputs:	8 digital Low-Side inputs 8 digital outputs 24V High-Side (6x1,3A and 2x4A) 4 analogue inputs (0-10V or 0-20mA, 10 Bit resolution)
Dimension :	139 mm x 104 mm x 69 mm
Weight:	700 g
Mounting:	Front panel mounting
Interface:	CAN-Interface
Programming:	C programming and with graphics editor ITE6
Special feature:	night design of the keys
EMC, vibration, shock:	EN61000-6-3, EN61000-6-2, IEC68-2-2, IEC68-2-30 IEC68-2-6, IEC68-2-27, DIN 40839 part1 (ISO7637)
Power supply:	10 – 32 VDC, Poles protection
Current consumption:	220 mA (Uoperate=24V)
Load Dump resistance:	yes, level II (113V)
Operation temperature:	- 20°C to +65°C
Protection rating:	IP65 according to DIN60529
Options:	Clock, build on enclosure, 2 <sup>nd</sup> interface CAN-BUS, RS422,

We reserve the right to make technical alternations without prior notice



Side view AT37

Rear view



e1  
022810



H103A1

# GRAF-SYTECO

## Systeme Technische Communication

Kaiserstr.18 \* D-78609 Tuningen \* Tel. ++49746498660 \* Fax. ++4974642550 \* Homepage: <http://www.graf-sytec.de> \* Email: [info@graf-sytec.de](mailto:info@graf-sytec.de)