

Pressure Switch CS01

for absolute or gauge pressure

- ceramic measuring element
- stainless steel housing
- standard G $\frac{1}{4}$ " thread
- less expensive
- rugged construction
- special switch points on request

Applications

hydraulic facilities, industry and research
process engineering

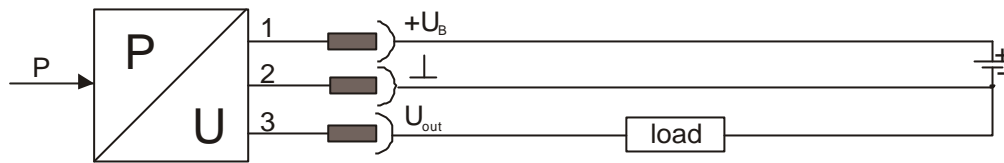


Technical specifications

Standard switch point	bar	1	1,6	2,5	4	6	10	16	25	40	60	100	160	250	400
Overload	bar	5	5	12	12	25	25	50	50	120	250	250	400	600	600
Linearity	% FS	< 1													
Pressure hysteresis and repeability	% FS	< 0.3													
Thermal effect on zero	% FS/10K	< 0.3													
Thermal effect on span	% FS/10K	< 0.2													
Media temperature range	°C	-10..+85													
Operating temperature range	°C	-10..+85													
Storage temperature range	°C	-25..+85													
Excitation voltage		9-30VDC allowable ripple @ 50Hz: 10%													
Output signal		1x PNP (max.250 mA)													
Electrical connection		M12-connector reverse polarity and shortcircuit protection male connector not included													
Pressure connection		G $\frac{1}{4}$ ", $\frac{1}{4}$ NPT													
Protection class		IP65													
EMC		EN 50 081-1 EN 50 082-2													
Material pressue connection		V2A (1.4305)													
Material diaphragm		ceramic (Al ₂ O ₃)													



Electrical connection

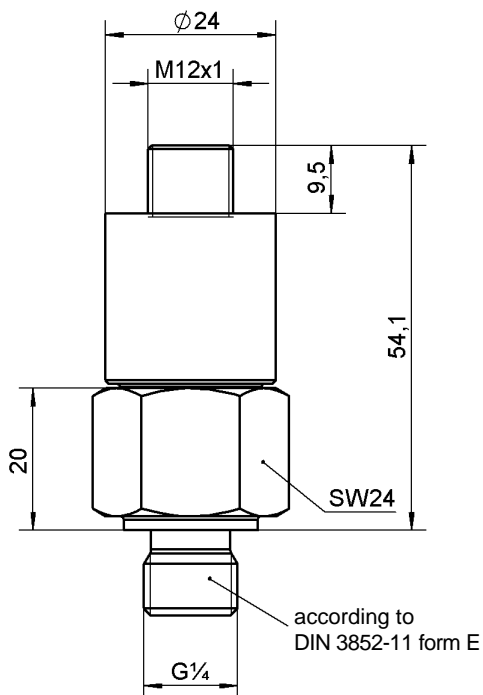


Pin occupancy M12-connector



Connection STW-Pressure switch

	plug pins
+U _B	1
GND	2
output	3



Order characterization:

Pressure transmitter type Cs01
 Pressure range: ...bar
 Switch point:
 Hysteresis:

subject to change without notice

MS 02/04

