

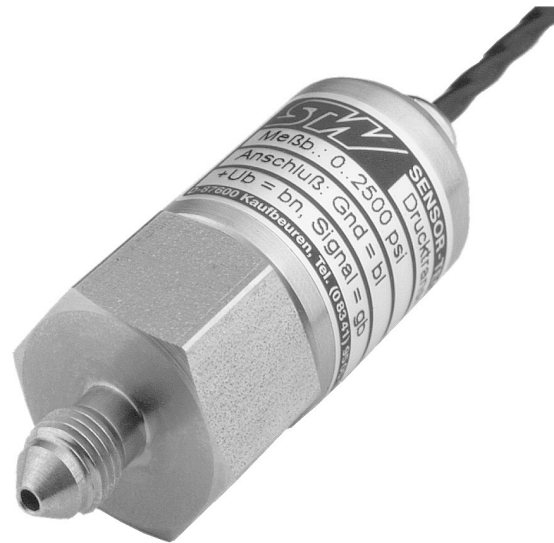
Pressure transmitter S01

for absolute or gauge pressure

- piezoresistive measuring element
- complete stainless steel construction
- simple mounting
- low weight
- small housing

Applications

mobile applications, testing stands
 industrie and research, process engineering

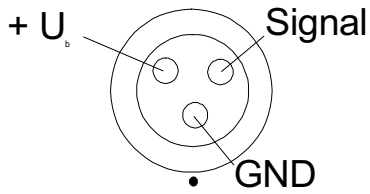


Technical specifications

Pressure range (G or A)		0..20psi to 0..2500psi, special pressure ranges without extra charge				
Standard pressure range	psi	20	40	80	160	2500
Overload	psi	40	80	160	320	5000
Linearity	% FS	< 0,3				
Long term stability	% FS	< 0,4 p.a.				
Media temperature	°C	-40..+120				
Operating temperature	°C	-20..+80				
Storage temperature	°C	-20..+80				
Excitation voltage		9-16VDC		allowable ripple @ 50Hz: 10%		
Current requirement		20mA max.				
Output		0,5-5V (Impedance: max. 20Ω)				
Electrical connection		Lemo Size 0B cable connection		reverse polarity and shortcircuit protection		
Pressure connection		3/8-24-UNF, other threads available				
Protection class		IP65				
weight		< 90g				
Vibration		20g sinusoidal - 100 Hz bis 1kHz				
Material housing		V2A (1.4305) stainless steel				
Material diaphragm		V4A (1.4435) stainless steel				

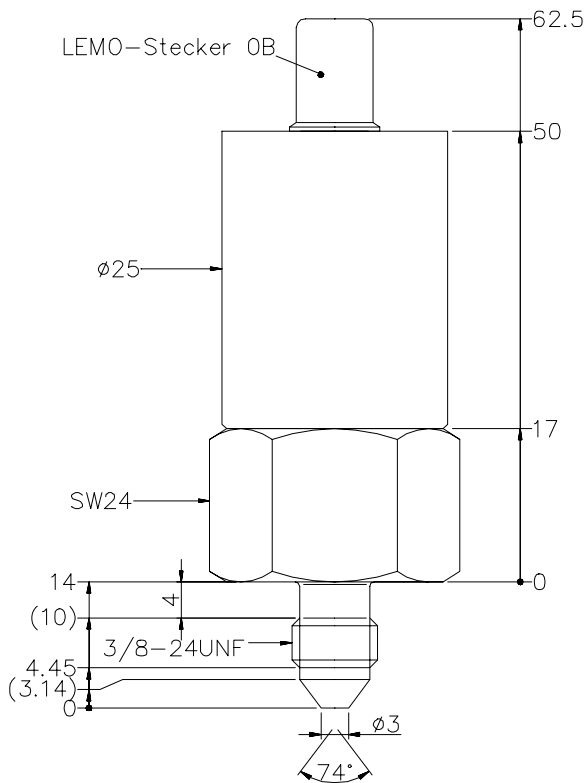


Pin configuration Lemo Size 0B



Pin configuration STW-pressure transmitter

	plug	cable
+U _B	see drawing	brown
Output		yellow
GND		blue



Order characterization:

Pressure transmitter type S01
 Pressure range: ...psi, G or A
 Electrical connection: plug/cable

Subject to change without notice

MS 04/99

